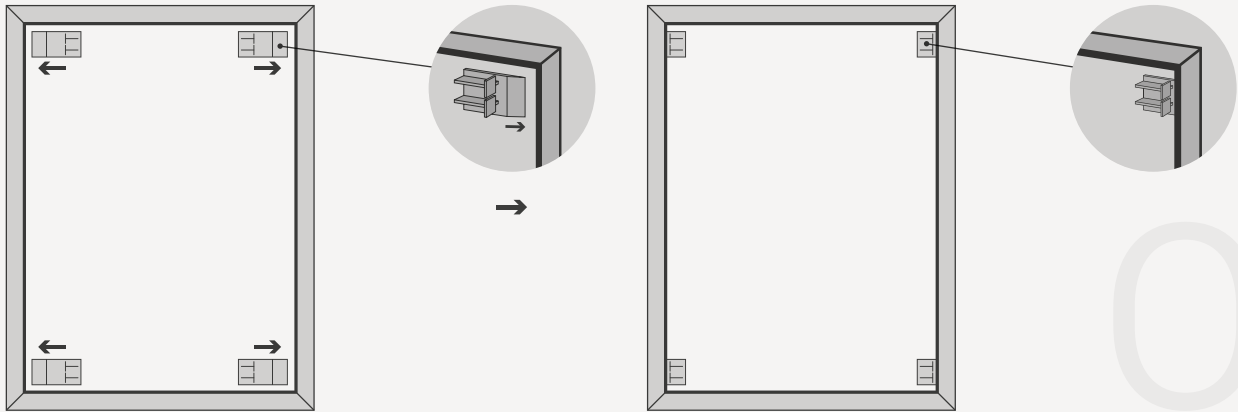


INSTALL THE Click Fit™ BRACKET:

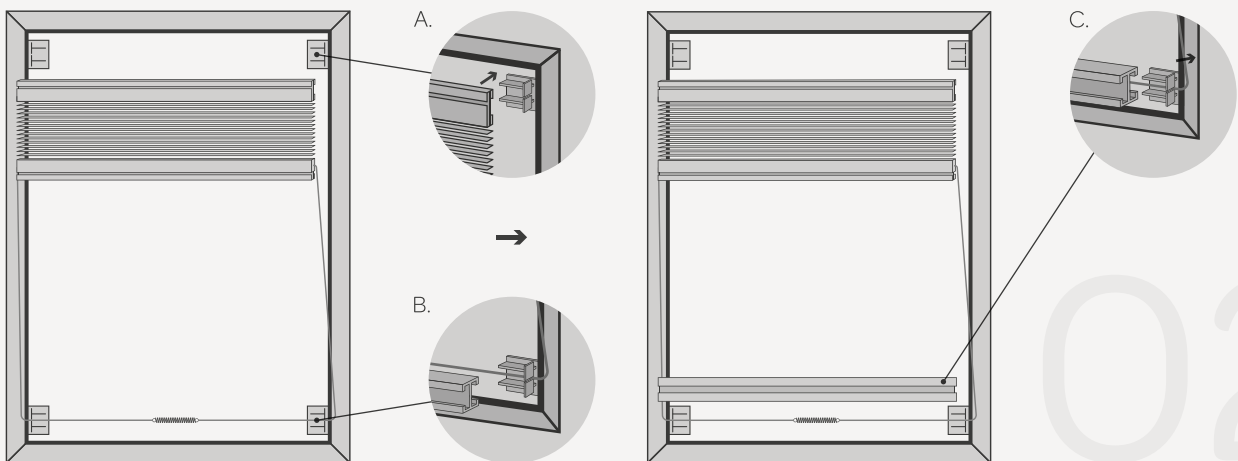
Push the Click Fit™ brackets between the window frame and seal in all 4 corners.



01

FITTING YOUR HYTTE BLIND:

- A. Click the blind onto the Click Fit™ brackets.
- B. Thread the cord through the centre of the lower Click Fit™ bracket on both sides of the window.
- C. Click the bottom rail onto the bottom Click Fit™ brackets.

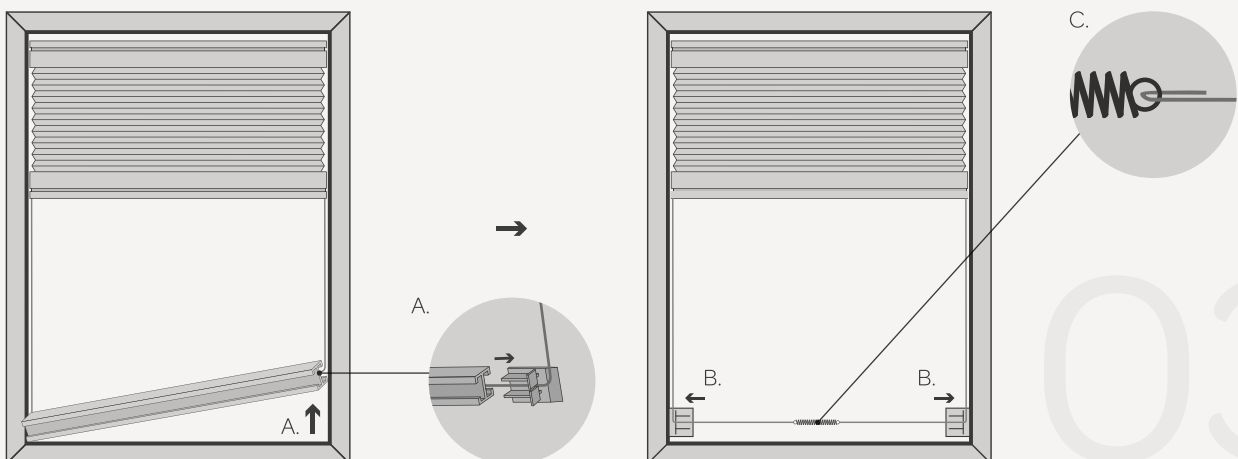


02

ADJUST THE TENSION OF THE BLIND:

HYTTE blinds come pre-tensioned and ready to fit, but when used over time the cords may slacken off.

- A. Remove the bottom rail by sliding it upwards and remove the Click Fit™ bracket from the ends.
- B. Slot the Click Fit™ brackets back into the window corners as Step 01.
- C. Detach the cord from one end of the spring, pull 5-10mm of cord through the spring bracket and re-attach the cord.



03